

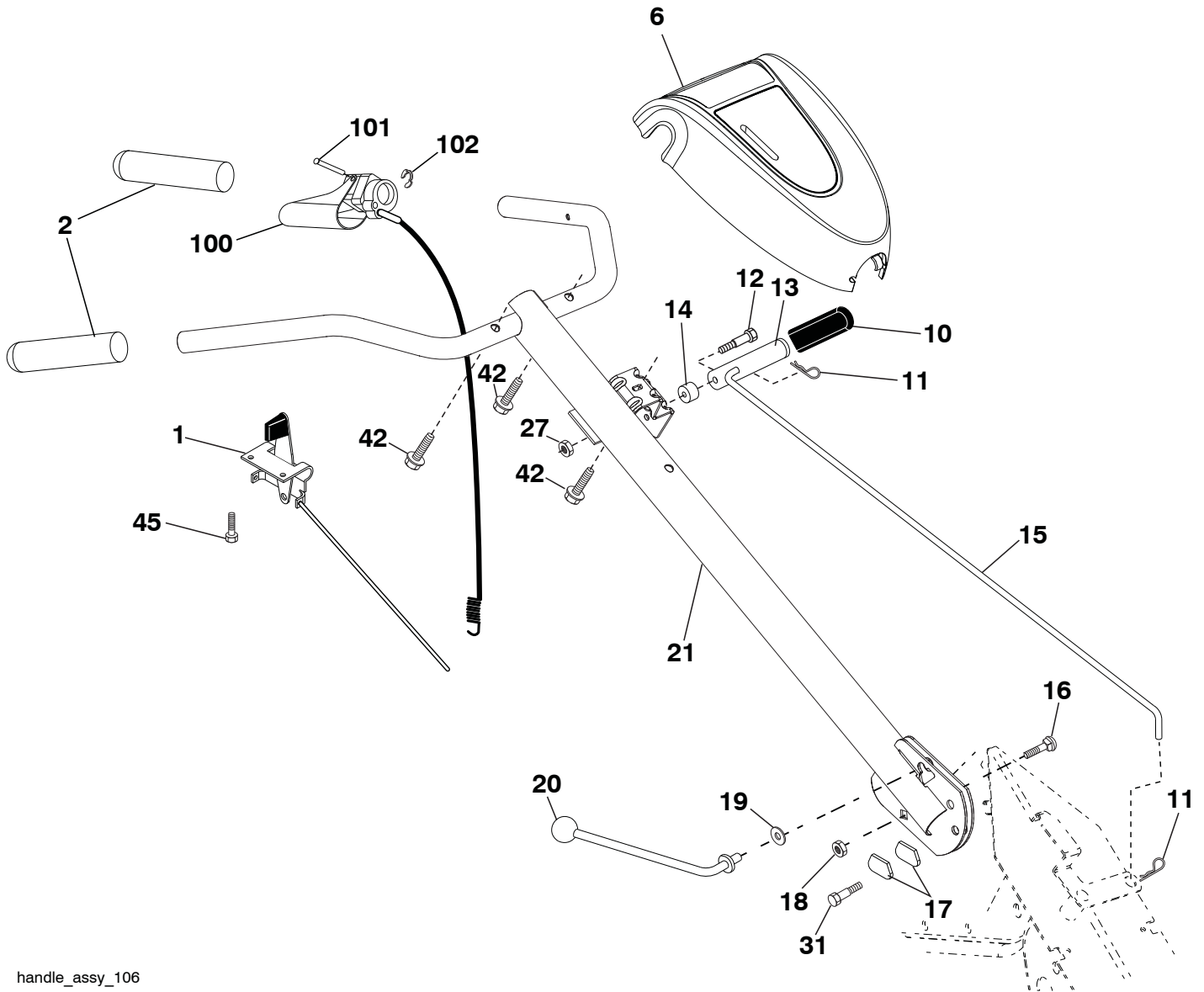
ILLUSTRATED PARTS LIST

MFG. ID NO. 96093002600

MODEL NUMBER CRT900L

PRODUCT NUMBER 960 93 00-26

HUSQVARNA REAR TINE TILLER - MODEL NO. CRT900L (MFG. ID. NO. 96093002600)
HANDLE ASSEMBLY



handle_assy_106

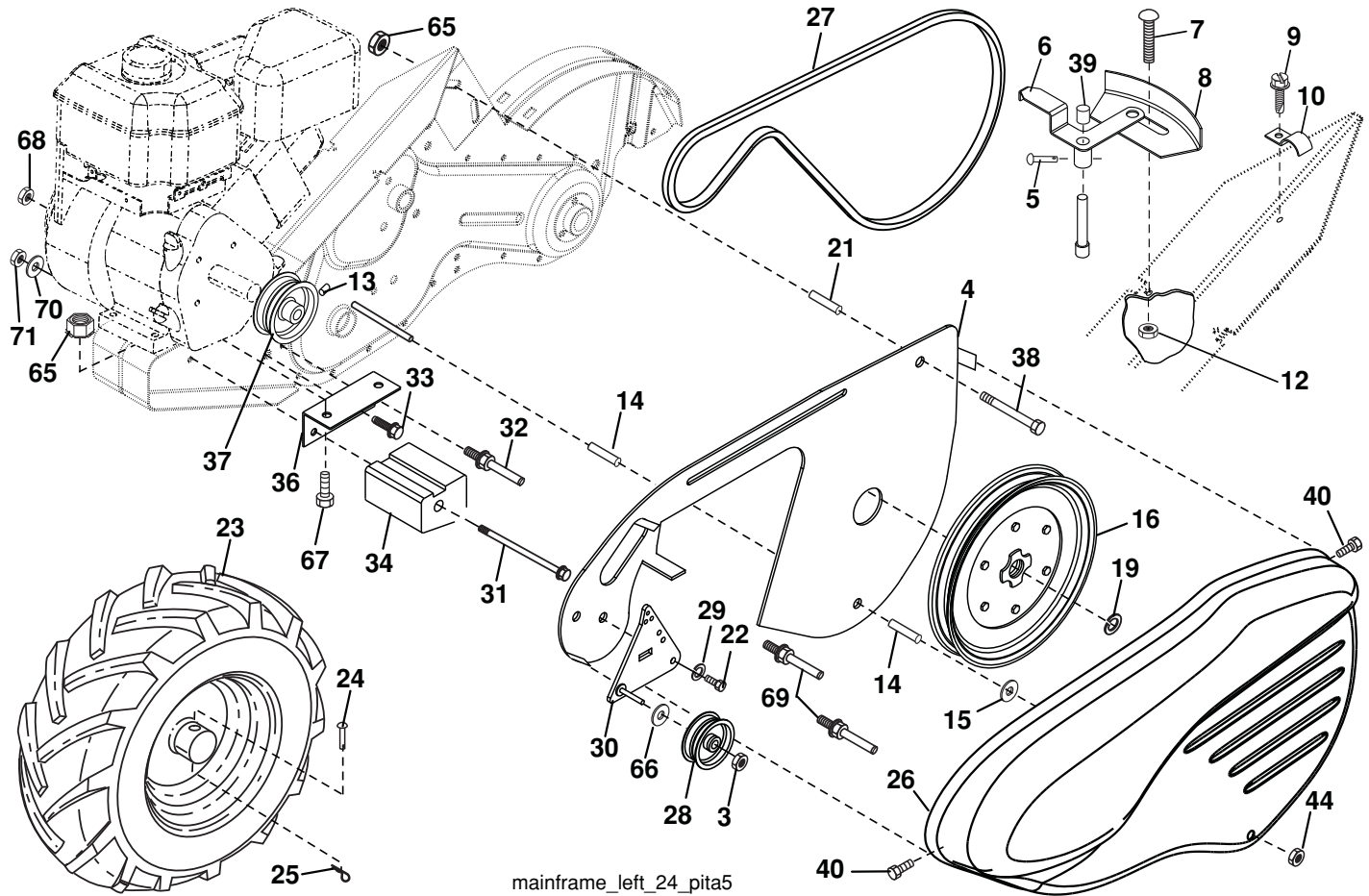
KEY NO.	PART NO.	DESCRIPTION
1	532 43 18-53	Throttle Control
2	532 42 76-43	Grip, Handle
6	532 44 60-69	Console
10	532 12 47-97	Grip, Handle
11	532 12 47-88	Clip, Hairpin
12	532 08 13-28	Bolt, Shoulder
13	581 96 06-01	Handle, Shift
14	532 10 93-13	Grommet, Rubber
15	532 13 84-00	Rod, Shift
16	872 11 06-08	Bolt, Carriage, Grade 5, 3/8-16 x 1
17	532 10 92-29	Lock, Handle
18	873 68 06-00	Nut, Hex, Crownlock, 3/8-16 UNC

KEY NO.	PART NO.	DESCRIPTION
19	819 13 16-11	Washer, 13/32 x 1 x 11 Gauge
20	532 10 92-28	Lever, Lock, Handle
21	532 44 61-56	Handle
27	873 90 04-00	Nut, Hex, Flanged, 1/4-20 UNC
31	532 15 06-96	Bolt, Pivot
42	532 41 63-58	Screw, #10 x 3/4
45	532 42 17-56	Screw, #10 x 1/2
100	532 19 31-33	Control Assembly, Tine
101	532 18 85-55	Pin, Pivot, Groove
102	812 00 00-59	Retaining Ring

NOTE: All component dimensions given in U.S. inches.
 1 inch = 25.4 mm

HUSQVARNA REAR TINE TILLER - MODEL NO. CRT900L (MFG. ID. NO. 96093002600)

MAINFRAME, LEFT SIDE



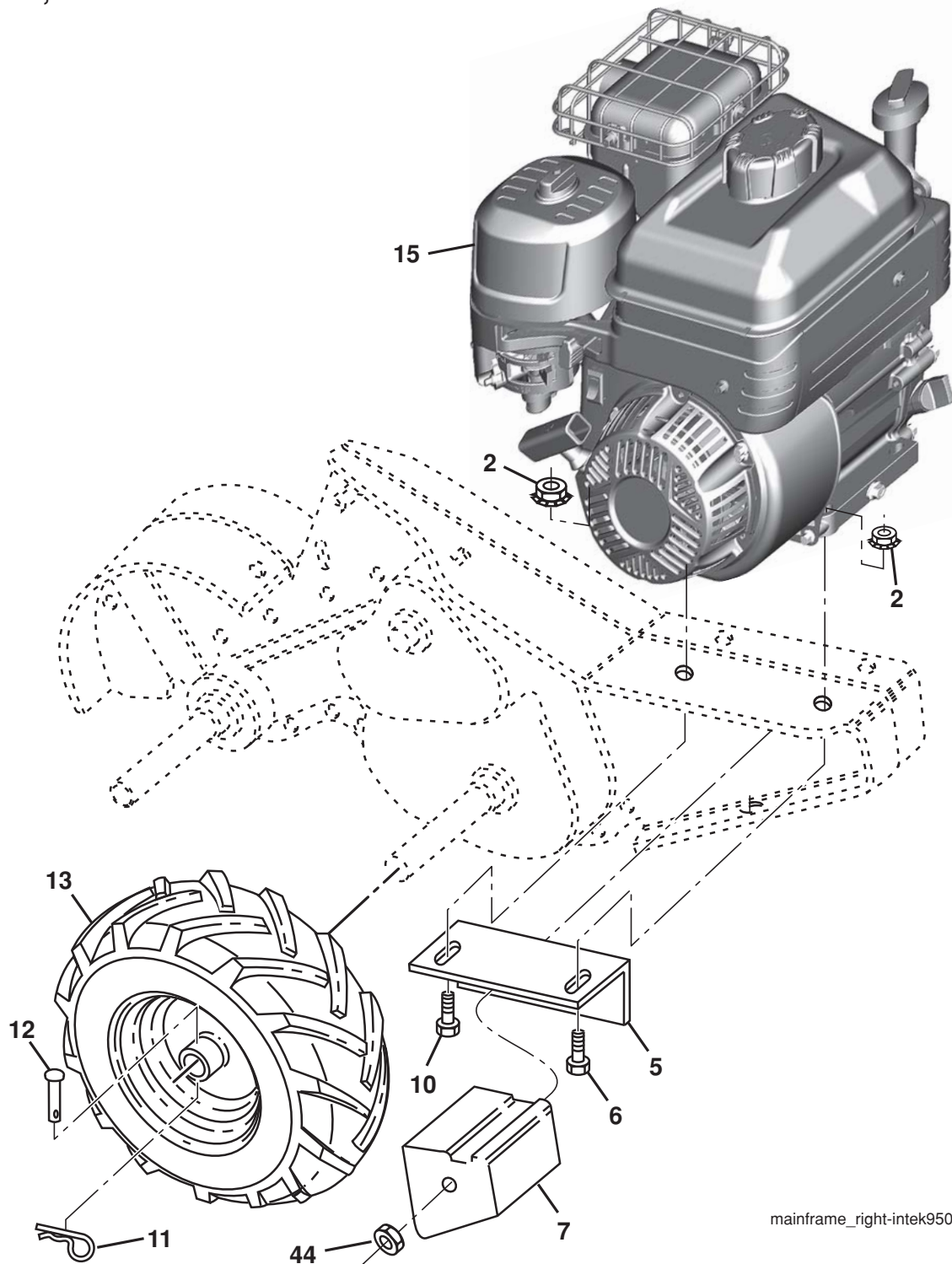
mainframe_left_24_pita5

KEY NO.	PART NO.	DESCRIPTION
3	873 93 06-00	Nut, Centerlock, 3/8-16 UNC
4	583 87 77-01	Shield, Inner Belt Guard, RH
5	532 16 43-29	Pin, Spiral Flared
6	532 11 01-11	Lever, Shift
7	872 11 04-04	Bolt, Carriage, Grade 5, 1/4-20 x 1/2
8	581 84 50-01	Plate, Shift Indicator
9	532 08 67-77	Screw, Hex Washer Head, Slotted #10-24 x 1/2
10	532 00 94-84	Clip
12	873 51 04-00	Nut, Hex, Keps, 1/4-20 UNC
13	823 23 05-06	Screw, Set, Hex, 5/16-18 x 3/8
14	532 15 61-17	Spacer, Split, 0.327 x 0.42 x 2.09
15	819 11 22-06	Washer, 11/32 x 11/32 x 16 Gauge
16	532 14 51-02	Sheave, Transmission
19	812 00 00-28	Retainer Ring
21	532 13 16-91	Spacer, Split
22	874 77 05-08	Bolt, Hex Head, 5/16-24 UNF x 1/2
23	581 57 64-02	Wheel & Tire Assembly, LH
24	532 17 12-71	Rivet, Drilled
25	532 12 47-88	Clip, Hairpin
26	532 44 04-38	Guard, Belt
27	532 13 28-01	Belt, V
28	532 10 46-79	Pulley, Idler

KEY NO.	PART NO.	DESCRIPTION
29	812 00 00-32	Ring, Klip
30	584 28 92-01	Bracket, Idler
31	581 74 72-01	Bolt, Hex Head, 3/8-16 UNC x 12
32	532 10 21-41	Shaft, Idler Arm
33	874 76 06-16	Bolt, Hex Head, 3/8-16 x 1
34	581 01 04-01	Counterweight, RH
36	581 86 48-01	Bracket, Reinforcement, LH
37	532 13 08-12	Sheave, Engine
38	874 76 05-44	Bolt, Hex Head, 5/16-18 UNC x 2-3/4
39	532 14 00-62	Cap, Plunger, Black
40	532 17 04-88	Screw, Hex Washer Head, Slotted, #10-24 x 1/2
44	873 80 05-00	Locknut, Hex, with Washer Insert 5/16-18 UNC
65	873 97 05-00	Locknut, Hex, Flanged
66	819 13 13-12	Washer, 13/32 x 13/16 x 12 Gauge
67	874 76 05-24	Bolt, Hex Head, 5/16-18 x 1-1/2
68	873 51 06-00	Nut, Hex, Keps, 3/8-16 UNC
69	532 16 41-73	Keeper, Belt, Engine
70	819 13 20-12	Washer
71	873 68 06-00	Nut, Hex

NOTE: All component dimensions given in U.S. inches.
1 inch = 25.4 mm

HUSQVARNA REAR TINE TILLER - MODEL NO. CRT900L (MFG. ID. NO. 96093002600)
MAINFRAME, RIGHT SIDE



mainframe_right-intek950

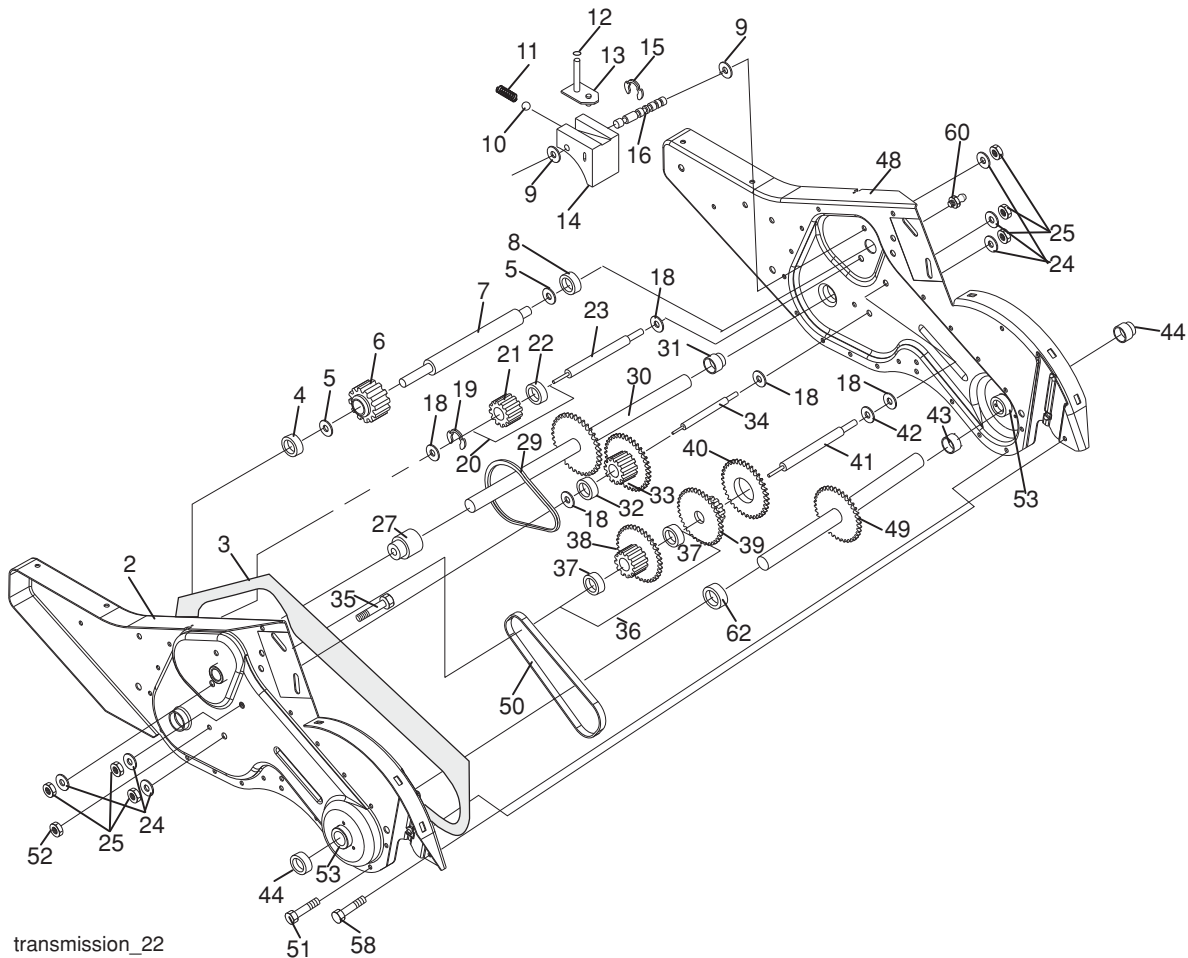
KEY NO.	PART NO.	DESCRIPTION
2	873 97 05-00	Locknut, Hex, Flanged, 5/16-18
5	581 86 47-01	Bracket, Reinforcement, R.H.
6	874 76 05-24	Bolt, Hex Head, 5/16-18 x 1-1/2
7	581 01 04-01	Counterweight
10	874 76 05-24	Bolt, Hex Head, 5/16-18 x 1-1/2
11	532 12 47-88	Clip, Hairpin
12	532 12 68-75	Rivet, Drilled
13	581 57 67-03	Wheel & Tire Assembly

KEY NO.	PART NO.	DESCRIPTION
15	---	Engine, Briggs & Stratton, Model Number 130G32-0056-F1 (For engine service and replacement parts, call Briggs & Stratton at 1-800-233-3723)
44	873 51 06-00	Nut, Hex, Keys, 3/8-16 UNC

NOTE: All component dimensions given in U.S. inches
 1 inch = 25.4 mm

HUSQVARNA REAR TINE TILLER - MODEL NO. CRT900L (MFG. ID. NO. 96093002600)

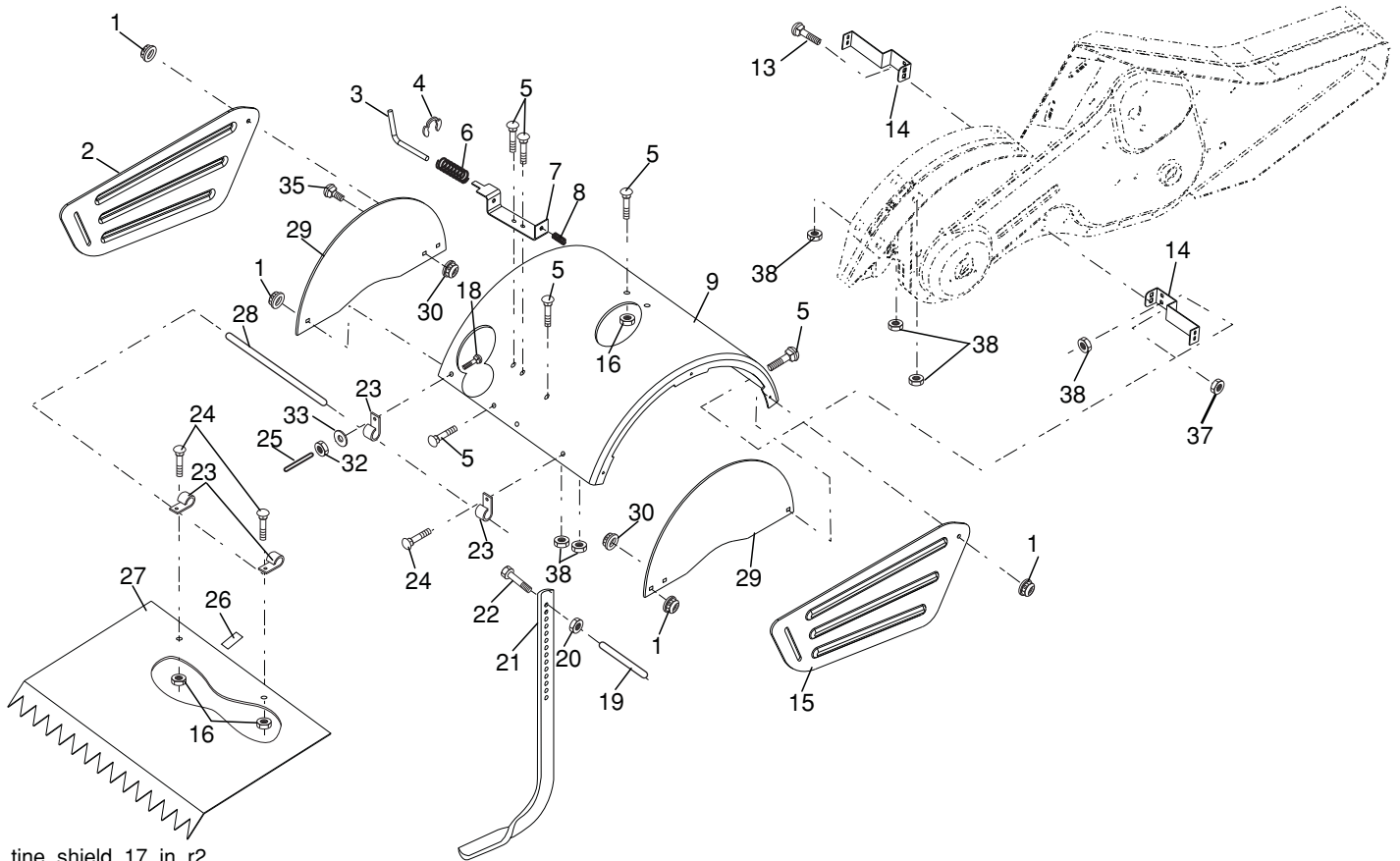
TRANSMISSION



KEY NO.	PART NO.	DESCRIPTION	KEY NO.	PART NO.	DESCRIPTION
1	585 92 37-01	Transmission Assembly (Includes Key Numbers 2-53)	30	532 15 07-37	Ground Shaft Assembly
2	532 18 84-82	Gearcase, LH, with Bearing (Includes Key Number 4)	31	532 14 30-08	Bearing, Shaft, Ground Drive, RH
3	532 43 10-22	Gasket, Gearcase	32	532 10 63-88	Spacer, 0.70 x 1.00 x 1.150
4	532 00 50-20	Bearing, Needle	33	532 10 21-21	Sprocket and Gear Assembly
5	532 00 13-70	Washer, Thrust, 5/8 x 1.10 x 1/32	34	532 10 21-12	Shaft, Reduction, 2nd
6	586 19 63-01	Pinion, Input	35	532 10 21-01	Screw, Whizlock, 5/16-18 x 3-1/2
7	532 14 51-01	Shaft, Input	36	532 15 43-55	Sprocket Assembly, with Bearing (Includes Key Numbers 37 and 38)
8	532 12 47-92	Bearing, Needle	37	532 12 47-91	Bearing, Needle
9	532 15 44-67	Washer, Seal	38	532 15 43-56	Sprocket, Tine
10	532 12 46-97	Ball, Steel	39	532 10 53-45	Gear, Cluster, Red, 1st & 2nd
11	532 10 03-71	Spring, Shift, Fork	40	532 10 53-46	Gear, Reverse
12	532 10 61-60	O-Ring	41	532 00 83-58	Shaft, Reduction, 1st
13	532 14 21-45	Arm, Shift	42	532 00 42-20	Washer, Thrust
14	532 00 83-53	Fork, Shift	43	532 10 61-46	Spacer, 1.01 x 1.75 x 0.760
15	812 00 00-39	Ring, Klip	44	532 15 52-36	Seal Assembly, Oil
16	532 15 44-66	Shaft, Shift	48	532 18 84-85	Gearcase, RH, with Bearing (Includes Key Number 8)
18	532 00 43-58	Washer	49	532 43 14-85	Shaft, Tine
19	812 00 00-40	Ring, Klip	50	532 10 61-47	Chain, Roller, #50-50 Pitch
20	532 10 21-14	Gear Assembly, Reverse Idler (Includes Key Numbers 21 and 22)	51	817 06 04-08	Screw, 1/4-20 x 1/2
21	532 10 21-15	Gear, Reverse Idler	52	873 22 05-00	Nut, Hex, 5/16-18
22	532 00 68-03	Bearing, Needle	53	532 16 51-40	Kit, Bearing
23	532 10 21-11	Shaft, Reverse Idler	58	532 17 95-20	Bolt, Shoulder, 1/4-20 UNC x .875
24	810 04 07-00	Washer, Lock, 7/16	60	532 18 32-26	Fitting, Grease
25	873 61 07-00	Nut, Hex, 7/16-20	62	532 43 10-15	Spacer
27	532 43 12-19	Bearing, Shaft, Ground Drive, LH	--	532 00 60-66	Grease, Plastilube #1
29	532 10 21-34	Chain, #35-50 Pitch			

NOTE: All component dimensions given in U.S. inches.
1 inch = 25.4 mm

HUSQVARNA REAR TINE TILLER - MODEL NO. CRT900L (MFG. ID. NO. 96093002600)
TINE SHIELD



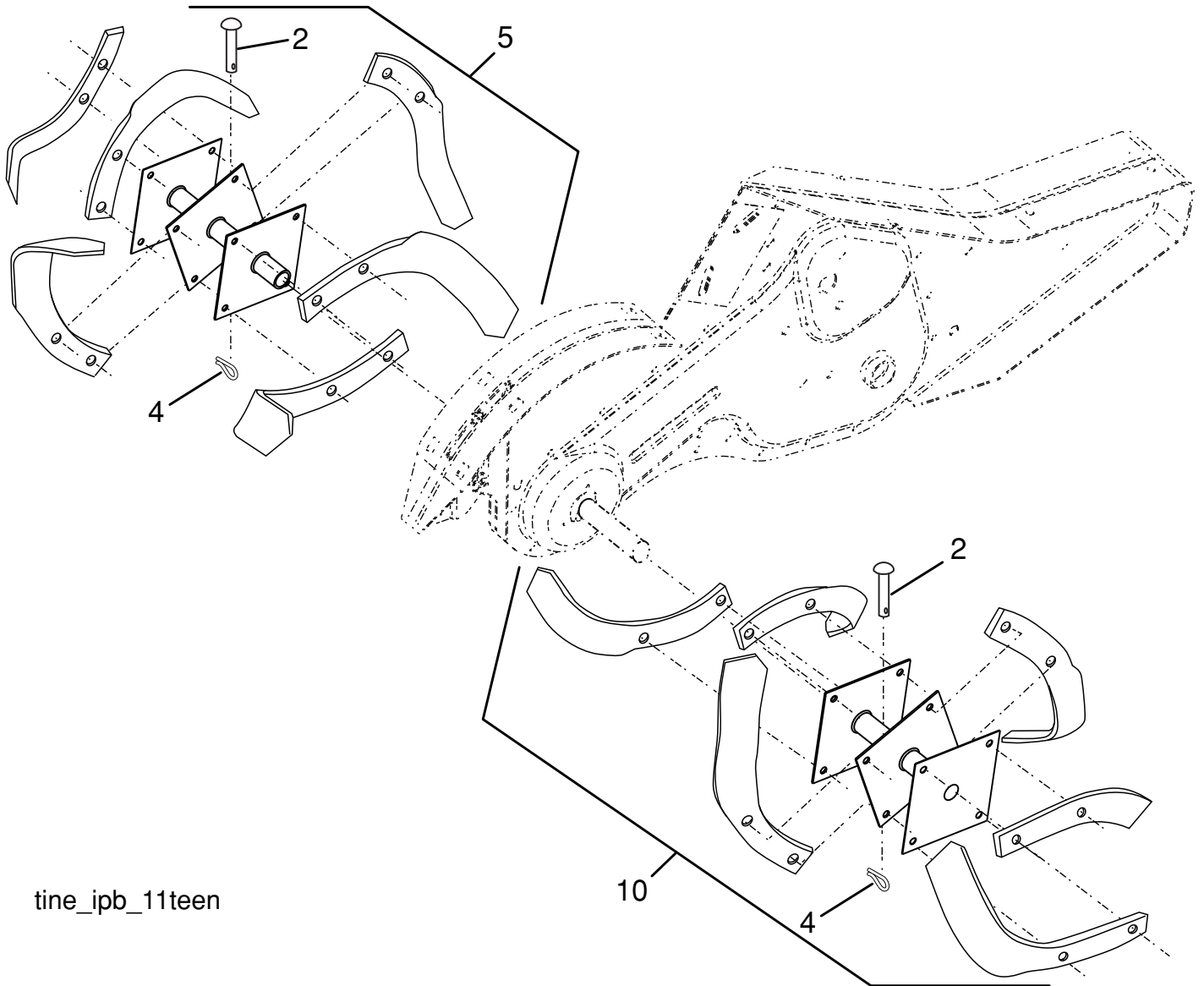
tine_shield_17_in_r2

KEY NO.	PART NO.	DESCRIPTION
1	873 90 05-00	Locknut, Hex, Flanged, 5/16-18
2	532 44 04-52	Shield, Side, Outer, LH
3	532 00 83-93	Pin, Depth Stake
4	812 00 00-35	Ring, Klip
5	532 18 08-47	Bolt, Carriage, 5/16-18 x 3/4
6	532 00 83-94	Spring
7	581 85 08-01	Bracket, Latch
8	532 10 92-30	Spring, Depth Stake
9	532 14 22-92	Shield, Tine
13	872 11 05-10	Bolt, Carriage, 5/16-18 x 1-1/4
14	581 81 35-01	Bracket, Tine Shield
15	532 44 04-50	Shield, Side, Outer, RH
16	873 90 04-00	Nut, Hex, Flanged, 1/4-20 UNC
18	872 04 04-10	Bolt, Carriage, 1/4-20 x 1-1/4
19	532 10 27-01	Grip
20	873 22 06-00	Nut, Hex, 3/8-16
21	532 10 21-56	Stake, Depth

KEY NO.	PART NO.	DESCRIPTION
22	874 93 06-32	Bolt, Hex Head, 3/8-16 x 2
23	532 00 44-40	Hinge
24	872 14 04-04	Bolt, Carriage, Grade 5, 1/4-20 x 1/2
25	532 12 47-17	Cap, Vinyl
26	532 10 92-27	Pad, Idler
27	532 44 04-48	Shield, Leveling
28	532 12 05-88	Pin, Hinge
29	581 81 27-06	Shield, Side
30	873 97 05-00	Locknut, Hex, Flanged
32	873 22 04-00	Nut, Hex, 1/4-20 UNC
33	810 04 04-00	Washer, Lock, Heavy Helical, 1/4
35	872 11 05-05	Bolt, 5/16-18 x 5/8
37	873 80 05-00	Locknut, Hex, 5/16-18 UNC
38	873 51 05-00	Nut, Hex, Keys, 5/16-18 UNC

NOTE: All component dimensions given in U.S. inches.
 1 inch = 25.4 mm

HUSQVARNA REAR TINE TILLER - MODEL NO. CRT900L (MFG. ID. NO. 96093002600)
TINE ASSEMBLY

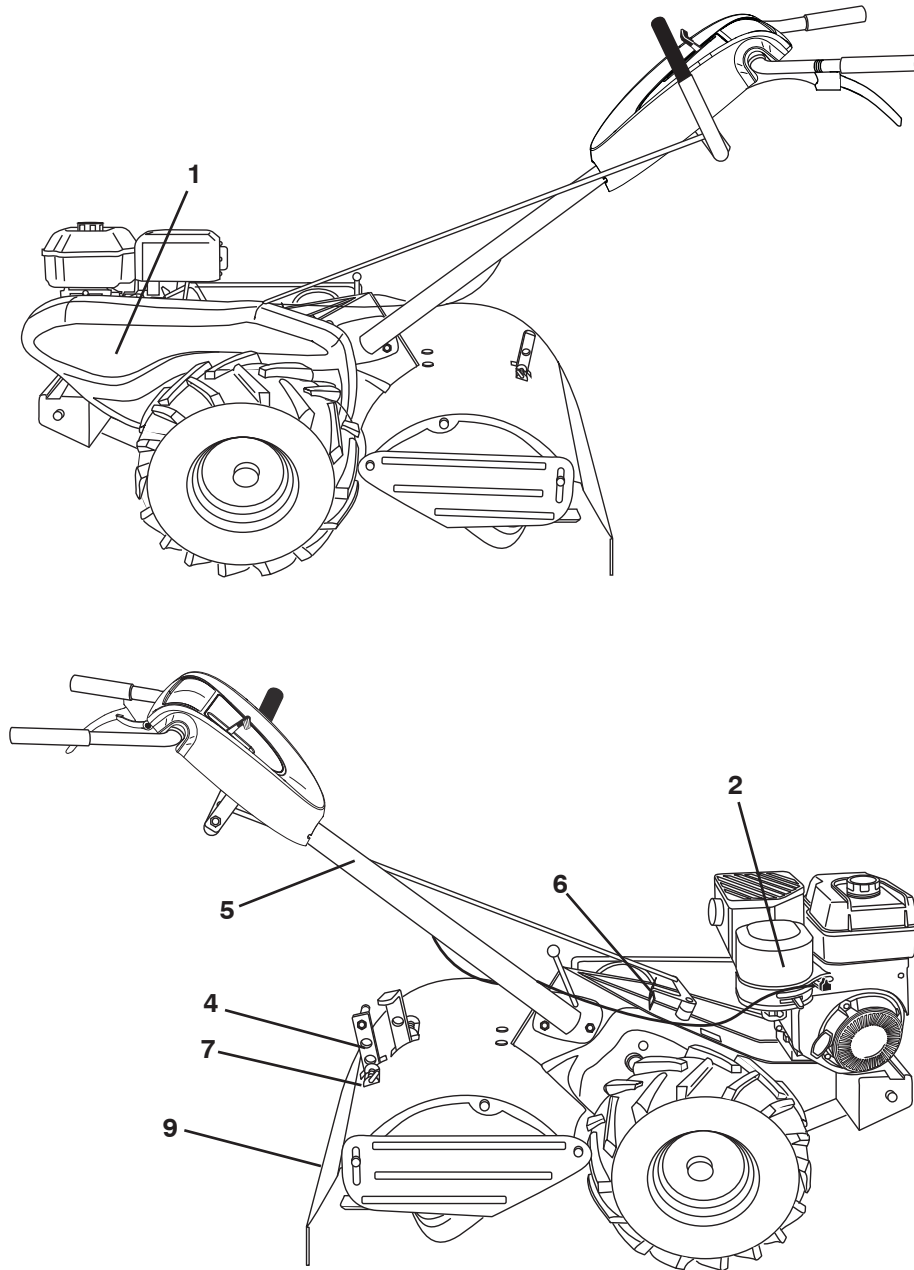


tine_ipb_11teen

KEY NO.	PART NO.	DESCRIPTION
5	584 14 51-02	Tine Assembly, LH
2	532 13 26-73	Clevis Pin
4	532 12 46-60	Retainer Spring, Zinc-plated
10	583 95 05-02	Tine Assembly, RH

NOTE: All component dimensions given in U.S. inches.
 1 inch = 25.4 mm

HUSQVARNA REAR TINE TILLER - MODEL NO. CRT900L (MFG. ID. NO. 96093002600)
DECALS



KEY NO.	PART NO.	DESCRIPTION
1	532 42 91-96	Decal, Belt Guard Badge
2	586 33 66-01	Decal, B&S, 950 Series
4	532 44 23-04	Decal, Tine Shield
5	532 11 06-14	Decal, Hand Placement
6	532 10 21-80	Decal, Shift Indicator
7	532 42 29-72	Decal, Warning
9	532 12 00-76	Decal, Warning, Rotating Tines
--	115 66 37-32	Operator's Manual, English / French